

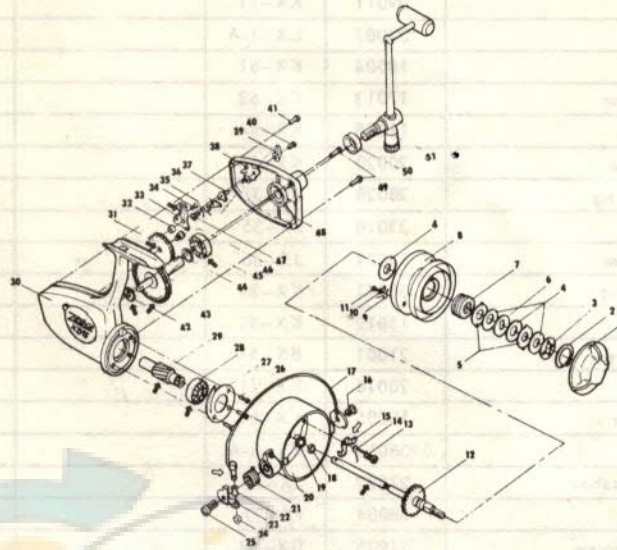


BRUNSWICK CORPORATION
CONSUMER DIVISION
 POST OFFICE BOX 270,
 TULSA, OKLAHOMA 74101

ZEBCO PARTS LIST AND ORDER BLANK

MODEL XB95 SPINNING REEL

PLEASE ORDER BY PART NUMBER, NOT KEY NUMBER



IF REQUIRED REPAIRS CANNOT BE MADE AT YOUR NEAREST FACTORY APPROVED SERVICE STATION, YOU MAY ORDER THE FOLLOWING REPLACEMENT PARTS DIRECT FROM THE FACTORY OR RETURN REEL TO FACTORY.

Your Order No. _____ Date _____
 Charge To _____ Ship To _____
 Address _____ Address _____
 City & State _____ City & State _____

DEFECTIVE PARTS REPLACED AT FACTORY ONLY

KEY NO.	DESCRIPTION	PART NO.		QUANTITY	PRICE	EXTENSION
		OLD	NEW			
1	Drag Knob Assembly	0232004	LX-32		\$1.25	
2	Drag Washer Retainer	39050	KX-28		.30	
3	Drag Washer A	26010A	KX-53		.20	
4	Drag Washer B	26012	KX-54		.30	
5	Drag Washer C	26011	KX-45		.35	
6	Drag Washer D	26010	KX-68		.20	
7	Spool Washer	28035	KX-30		.35	
8	Spool	06013	LX-21		4.73	
9	Spool Click Spring	28038	KX-34		.15	
10	Spool Click Claw	33009	KX-33		.15	
11	Spool Click Screw	19019	KX-31		.15	
12	Main Shaft Assembly	0212024	KX-15-A		2.00	
13	Bail Arm Lever Screw	19003	BX-48		.20	
14	Bail Arm Lever Spring	28037	LX-42		.15	
15	Bail Arm Lever	15011	LX-43		.35	✓
16	Bail Arm Cam B Screw	19024	KX-14		.50	
17	Bail Arm Assembly W/Cam B	0229005	LX-1Q-A		2.05	✓
18	Rotor Nut	18001	HX-6		.15	
19	Lock Washer	27068	KX-5		.05	
20	Rotor	05005	LX-9-A		2.95	
21	Bail Arm Spring	28036	KX-49		.30	✓
22	Bail Arm Line Roller	25004	KX-4		.35	
23	Bail Arm Cam A	15010	KX-7		.50	
24	Bail Arm Nut	18006	JX-19		.35	

(Continued on Reverse Side)

KEY NO.	DESCRIPTION	PART NO.		QUANTITY	PRICE	EXTENSION
		OLD	NEW			
25	Bail Arm Cam A Screw	19018	KX-16		\$.95	
26	Ball Bearing Holding Screw	20001	JX-25-1		.15	
27	Ball Bearing Holder	30004	KX-26		.50	
28	Ball Bearing	38001	IX-27		3.05	
29	Pinion Gear	09011	KX-11		2.35	
30	Main Body	03007	LX-1-A		3.25	
31	Oscillating Bull Gear	10004	KX-61		.30	
32	Oscillating Slider Collar	17013	KX-62		.10	
33	Oscillating Slider	11005	KX-64		.40	
34	Oscillating Slider Screw	20020	KX-65		.10	
35	Anti-Reverse Claw Spring	28028	JX-37		.15	
36	Anti-Reverse Claw	33010	JX-35		.20	
37	Anti-Reverse Lever Cam	14009	JX-36		.20	
38	Anti-Reverse Cam Spring	28041	KX-38		.20	
39	Anti-Reverse Lever	15012	KX-52		.30	
40	Anti-Reverse Lever Screw	21001	BX-51		.10	✓
41	Side Plate Screw B	20018	KX-71		.10	
42	Oscillating Pinion Gear	10005	KX-60		.20	
43	Main Gear Assembly	0208012	KX-8-A		2.70	
44	Main Gear Adjusting Washer	27022	JX-77		.10	
45	Ball Bearing	38001	IX-27		3.05	
46	Oscillating Bull Gear Screw	21005	GX-63		.15	
47	Anti-Reverse Claw Screw	19003	BX-48		.20	
48	Side Plate	04013A	KX-24-A		1.10	
49	Side Plate Screw A	20013	JX-72	X	.10	
50	Handle Holder	17014	KX-3		.50	
51	Handle Assembly	0219016	LX-18-A		6.85	