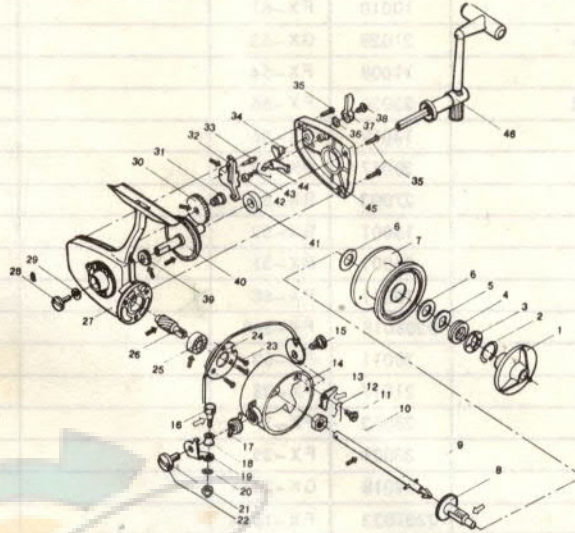




BRUNSWICK CORPORATION
CONSUMER DIVISION
 POST OFFICE BOX 270,
 TULSA, OKLAHOMA 74101

ZEBCO PARTS LIST AND ORDER BLANK MODEL XBL45 CASTING REEL

PLEASE ORDER BY PART NUMBER, NOT KEY NUMBER



IF REQUIRED REPAIRS CANNOT BE MADE AT YOUR NEAREST FACTORY APPROVED SERVICE STATION, YOU MAY ORDER THE FOLLOWING REPLACEMENT PARTS DIRECT FROM THE FACTORY OR RETURN REEL TO FACTORY.

Your Order No. _____ Date _____
 Charge To _____ Ship To _____
 Address _____ Address _____
 City & State _____ City & State _____

DEFECTIVE PARTS REPLACED AT FACTORY ONLY

KEY NO.	DESCRIPTION	PART NO.		QUANTITY	PRICE	EXTENSION
		OLD	NEW			
1	Drag Knob	32010	EX-32		\$.30	
2	Stopper Spring	28004	EX-28		.10	
3	Drag Washer A	26001A	EX-53		.15	
4	Spool Spring	28007	EX-30		.30	
5	Drag Washer B	26001	EX-54		.15	
6	Drag Washer C	27001	EX-45		.10	
7	Spool Assembly	0206020	FX-21		3.34	
8	Spool Click	0213007A	EX-33		1.05	
9	Main Shaft Assembly	0212043	FX-15-A		1.50	
10	Rotor Nut	18011	FX-6		.15	✓
11	Bail Arm Lever Screw	21017	FX-48		.15	✓
12	Bail Arm Lever Spring	28064	FX-42		.15	✓
13	Bail Arm Lever	15022	FX-43		.30	✓
14	Rotor	05011	GX-9-A		4.15	✓
15	Bail Arm Cam B Screw	21016	FX-14		.20	
16	Bail Arm Assembly	0229011	FX-10-A		1.80	✓
17	Bail Arm Spring	28063	FX-49		.15	✓
18	Bail Arm Roller	25001	CX-4		.35	
19	Bail Arm Cam A	15021	FX-7		.20	✓
20	Bail Arm Roller Washer	27021	DX-6		.10	
21	Bail Arm Nut	18005	BX-19		.15	
22	Bail Arm Cam A Screw	21015	FX-16		.35	✓
23	Oilless Bearing Holder Screw	20001	FX-25		.10	
24	Oilless Bearing Holder	30008	FX-26		.30	

(Continued on Reverse Side)

KEY NO.	DESCRIPTION	PART NO.		QUANTITY	PRICE	EXTENSION
		OLD	NEW			
25	Ball Bearing	38010	GX-27		\$3.65	
26	Pinion Gear	09017	GX-11		1.65	
27	Main Body	03012	GX-1-A		1.80	✓
28	Handle Retaining Screw	19050	FX-3		.20	✓ ✓
29	Nylon Washer	27047	FX-5		.10	
30	Oscillating Bull Gear	10010	FX-61		.20	
31	Oscillating Bull Gear Screw	21028	GX-63		.15	
32	Oscillating Slider	11008	FX-64		.30	✓
33	Oscillating Slider Pin	23030	FX-66		.10	✓
34	Anti-Reverse Lever Cam	14019	GX-36		.15	
35	Side Plate Screw	20017	DX-73		.10	✓
36	Spring Washer	27003	BX-55		.10	
37	Anti-Reverse Lever	15001	BX-52		.30	
38	Anti-Reverse Lever Screw	21001	BX-51		.10	✓
39	Oscillating Pinion Gear	10011	FX-60		.15	✓
40	Main Gear Assembly	0208018	FX-8-A		1.05	✓
41	Oilless Bearing	38011	FX-63		.35	
42	Anti-Reverse Claw Screw	21017	FX-38		.15	✓
43	Anti-Reverse Spring	28062	FX-37		.15	✓
44	Anti-Reverse Claw	33021	FX-35		.10	
45	Side Plate	04018	GX-24-A		1.60	
46	Handle Assembly	0207023	FX-18-A		3.30	✓