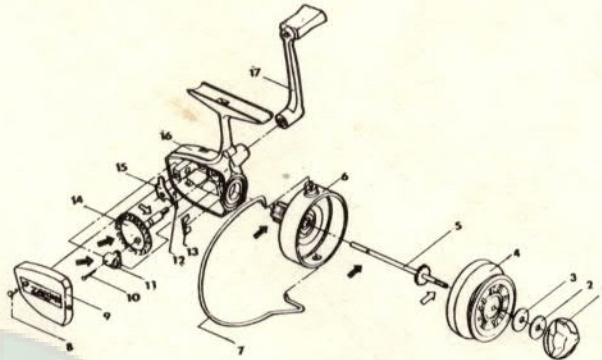




**BRUNSWICK CORPORATION**  
**CONSUMER DIVISION**  
 POST OFFICE BOX 270,  
 TULSA, OKLAHOMA 74101

## ZEBCO PARTS LIST AND ORDER BLANK MODEL XR 11 SPINNING REEL

PLEASE ORDER BY PART NUMBER, NOT KEY NUMBER



IF REQUIRED REPAIRS CANNOT BE MADE AT YOUR NEAREST FACTORY APPROVED SERVICE STATION, YOU MAY ORDER THE FOLLOWING REPLACEMENT PARTS DIRECT FROM THE FACTORY OR RETURN REEL TO FACTORY.

Your Order No. \_\_\_\_\_ Date \_\_\_\_\_  
 Charge To \_\_\_\_\_ Ship To \_\_\_\_\_  
 Address \_\_\_\_\_ Address \_\_\_\_\_  
 City & State \_\_\_\_\_ City & State \_\_\_\_\_

### DEFECTIVE PARTS REPLACED AT FACTORY ONLY

KEY NO.	DESCRIPTION	PART NO.		QUANTITY	PRICE	EXTENSION
		OLD	NEW			
1	Drag Knob	32002	AX-32		\$ .20	—
2	Drag Washer	27014	AX-53		.10	
3	Drag Washer A	26018	MX-54		.10	
4	Spool Assembly	0206005	AX-21		1.04	
5	Main Shaft Assembly	0212073	MX-15-A		.30	✓
6	Rotor Assembly	0205017	MX-9-A		.70	
7	Bail Arm	29022	AX-10		.30	✓
8	Side Plate Screw	20003	BX-72		.10	
9	Side Plate	04027A	MX-24-A		.10	
10	Oscillating Slider Pin	23013	BX-66		.10	
11	Oscillating Slider	11012	MX-64		.20	✓
12	Anti-Reverse Spring	28091	MX-37		.10	
13	Rotor Retainer	30011	MX-14		.10	
14	Main Gear	08026	MX-8-A		.35	
15	Anti-Reverse Claw	33028	MX-35		.20	
16	Main Body	03023	MX-1-A		.70	
17	Handle Assembly	0207032	MX-18-A		.55	✓

Amount \_\_\_\_\_

Less \_\_\_\_\_

POSTAGE PREPAID

Please send this Amount \_\_\_\_\_