

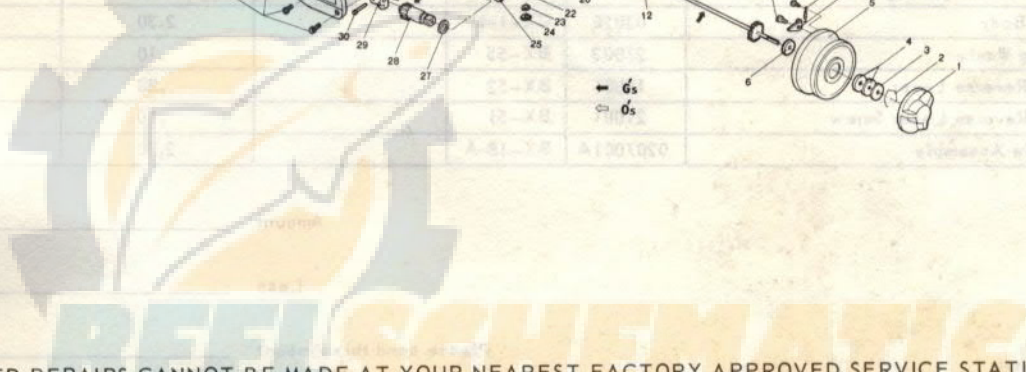
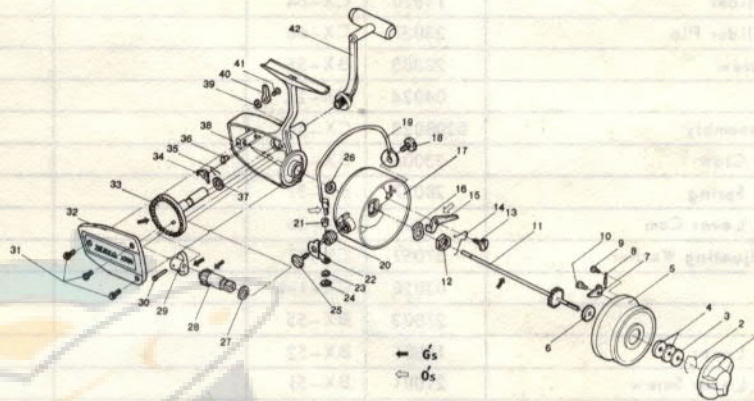


BRUNSWICK CORPORATION
CONSUMER DIVISION
 POST OFFICE BOX 270,
 TULSA, OKLAHOMA 74101

ZEBCO PARTS LIST AND ORDER BLANK

MODEL XR30 SPINNING REEL

PLEASE ORDER BY PART NUMBER, NOT KEY NUMBER



IF REQUIRED REPAIRS CANNOT BE MADE AT YOUR NEAREST FACTORY APPROVED SERVICE STATION, YOU MAY ORDER THE FOLLOWING REPLACEMENT PARTS DIRECT FROM THE FACTORY OR RETURN REEL TO FACTORY.

Your Order No. _____ Date _____
 Charge To _____ Ship To _____
 Address _____ Address _____
 City & State _____ City & State _____

DEFECTIVE PARTS REPLACED AT FACTORY ONLY

KEY NO.	DESCRIPTION	PART NO.		QUANTITY	PRICE	EXTENSION
		OLD	NEW			
1	Drag Knob	0232015	CX-32		\$.50	
2	Stopper Spring	28023	BX-28		.10	
3	Drag Washer	26017	CX-53		.10	
4	Drag Washer	26016	CX-30		.10	
5	Spool	06027	CX-21		2.04	
6	Drag Washer	27062	CX-45		.10	
7	Spool Click	33024	CX-33		.10	
8	Spool Click Spring	28077	CX-34		.10	
9	Spool Click Spring Screw	20027	CX-38		.10	
10	Spool Click Screw	21023	CX-31		.10	
11	Main Shaft Assembly	0212066	CX-15		.90	
12	Rotor Nut	18013	CX-6		.15	
13	Bail Arm Lever Screw	21026	CX-41		.30	
14	Bail Arm Lever Spring	28078	CX-42		.15	
15	Bail Arm Lever	15031	CX-43		.15	
16	Rotor Retaining Washer	27063	CX-5		.10	

(Continued on Reverse Side)

KEY NO.	DESCRIPTION	PART NO.		QUANTITY	PRICE	EXTENSION
		OLD	NEW			
17	Rotor	05015	CX-9-A		\$1.75	
18	Bail Arm Cam B Screw	21025	CX-14		.40	
19	Bail Arm Assembly W/Cam B	0229017	CX-10-A		1.85	
20	Bail Arm Spring	28079	CX-49		.15	
21	Bail Arm Line Roller	25001	CX-4		.35	
22	Bail Arm Cam A	15030	CX-7		.20	
23	Bail Arm Roller Washer	27021	CX-17-1		.10	
24	Hexagonal Nut	18005	BX-19		.10	
25	Bail Arm Cam A Screw	21024	CX-16		.50	
26	Rotor Washer	27061	CX-27		.10	
27	Pinion Washer	27060	CX-13		.10	
28	Pinion Gear	09022	CX-11		.35	
29	Oscillating Slider	11010	CX-64		.20	
30	Oscillating Slider Pin	23037	CX-66		.10	
31	Side Plate Screw	20003	BX-55		.15	
32	Side Plate	04024	CX-24		1.05	
33	Main Gear Assembly	0208023	CX-8-A		.60	
34	Anti-Reverse Claw	33006	BX-35		.10	
35	Anti-Reverse Spring	28027	BX-37		.15	
36	Anti-Reverse Lever Cam	14007	BX-36		.20	
37	Main Gear Adjusting Washer	27059	CX-77		.10	
38	Main Body	03020	CX-1-A		2.30	
39	Spring Washer	27003	BX-55		.10	
40	Anti-Reverse Lever	15001	BX-52		.30	
41	Anti-Reverse Lever Screw	21001	BX-51		.10	
42	Handle Assembly	0207001 A	BX-18-A		2.70	

Amount _____