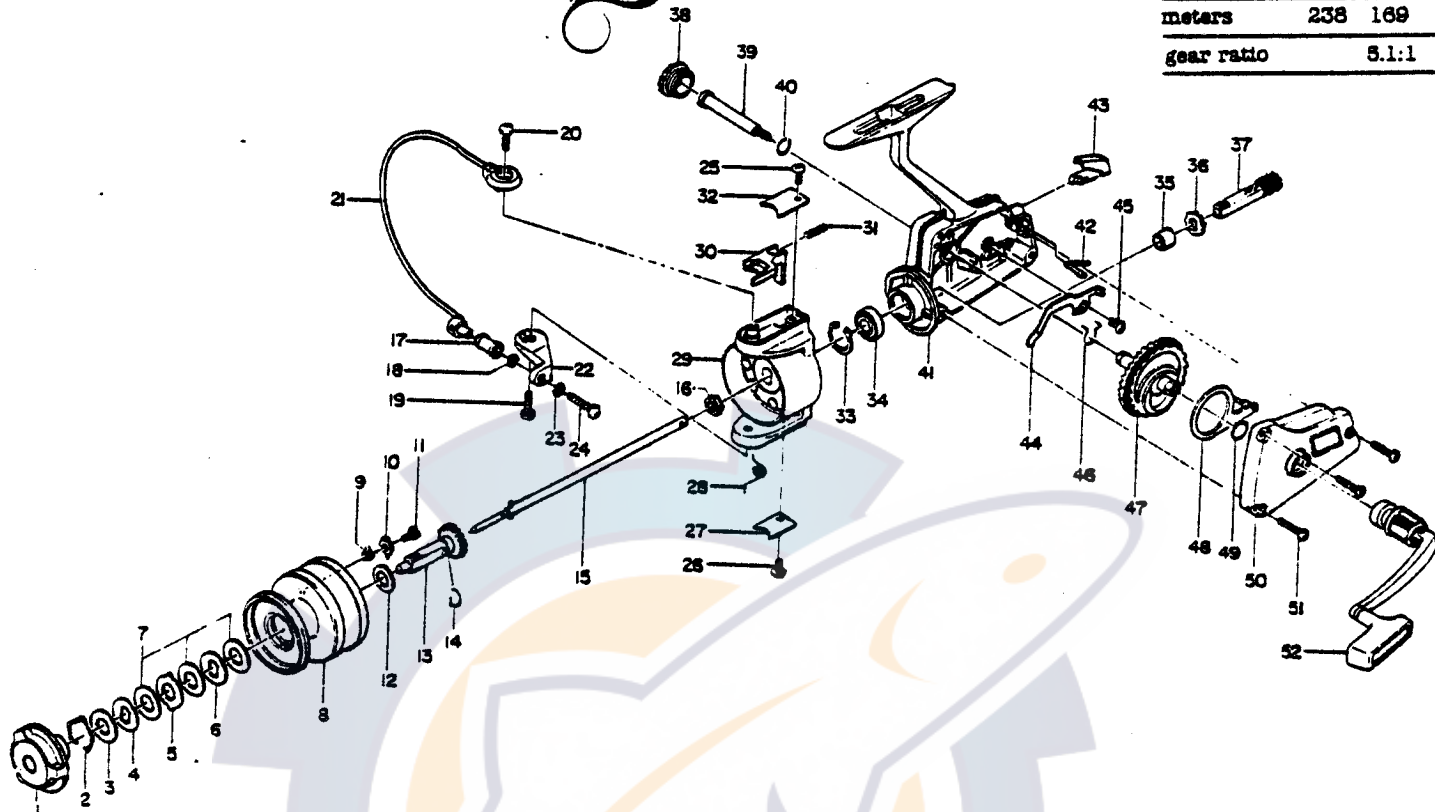




# STERLING™ 7010™

weight	9.5 oz./269 g		
pound test	4	6	8
yards	280	185	125
meters	238	169	114
gear ratio	5.1:1		



**MODEL 7010**

Key No.	Part No.	Description	Key No.	Part No.	Description
1	KB37	*Drag Knob	28	CB22	Bail Spring
2	CB36	*Drag Retainer Clip	29	KB9	Rotor
3	JB35	*Spring Washer	30	CB19	Bail Trip Lever
4	JB31	*Drag Washer C	31	CB49	Bail Trip Spring
5	JB32	*Drag Drive	32	KB24	Bail Trip Cover
6	JB30	*Drag Washer A	33	CB40	Bearing Retainer
7	JB33	*Drag Washer B	34	CB28	Pinion Bearing
8	KB21	*Spool	35	KB29	Pinion Spacer
9	KB57	*Spool Claw Spring	36	KB40	Anti-Rev. Ratchet
10	JB55	*Spool Claw	37	KB11	Pinion Gear
11	JB56	*Spool Claw Screw	38	JB73	Handle Retainer Cover
12	JB59	*Spool Spindle Washer	39	CB54	Handle Retainer
13	KB58	*Spool Spindle	40	CB105	Handle Retainer Washer
14	JB60	*Spool Spindle Spring	41	KB301	Body Assembly
15	KB15	Center Shaft	42	CB69	Anti-Rev. Knob Spring
16	CB6	Rotor Nut	43	CB59	Anti-Reverse Knob
17	CB4	Line Roller	44	KB63	Anti-Reverse Pawl
18	CB16	Line Roller Bushing	45	CB80	Anti-Rev. Pawl Screw
19	CB51	Bail Screw A	46	KB42	Anti-Reverse Actuator
20	CB51	Bail Screw B	47	KB12	Crank Gear
21	CB347	Bail Assembly	48	CB25	Oscillator Slider
22	CB7	Bail Arm A	49	CB27	Crank Gear Shim
23	CB102	Bail Axle Washer	50	KB323	Side Plate Assy.
24	CB108	Bail Axle Screw	51	CB57	Side Plate Screw
25	CB85	Bail Cover Screw	52	KB318	Crank Handle Assy.
26	CB85	Bail Cover Screw			
27	KB25	Bail Spring Cover			

(See Assy.)

\*Available as One Unit,  
KB321 Spool Assy.

**PLEASE ORDER BY PART NUMBER**

