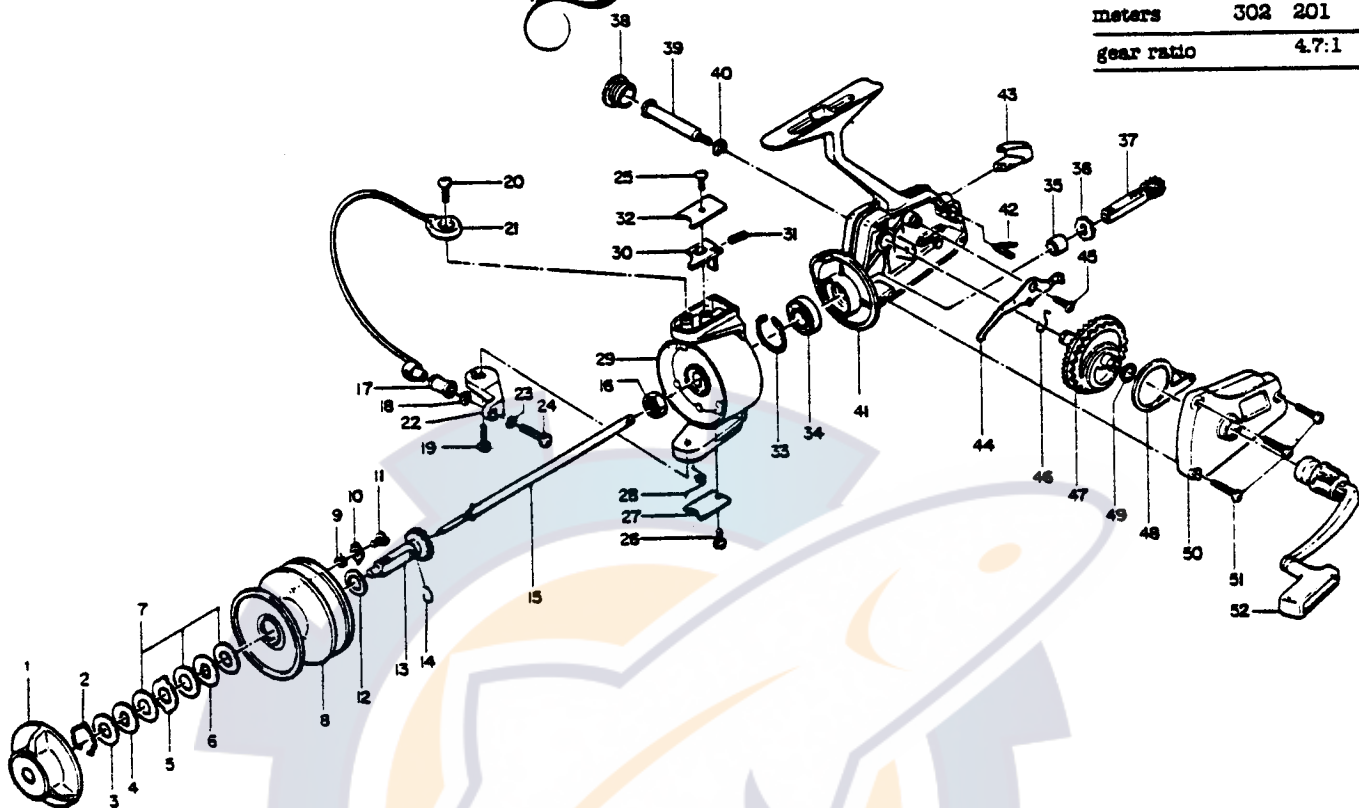


ZEBCO.

STERLING™ 7020™

weight	11.8 oz/329 g		
pound test	8	8"	10
yards	330	220	165
meters	303	201	151
gear ratio	4.7:1		



MODEL 7020

Key No.	Part No.	Description	Key No.	Part No.	Description
1	LB37	*Drag Knob	28	DB22	Bail Spring
2	DB36	*Drag Retainer Clip	29	LB9	Rotor
3	LB35	*Spring Washer	30	DB19	Bail Trip Lever
4	LB31	*Drag Washer C	31	DB49	Bail Trip Spring
5	LB32	*Drag Drive	32	LB24	Bail Trip Cover
6	LB30	*Drag Washer A	33	DB40	Bearing Retainer
7	LB33	*Drag Washer B	34	DB28	Pinion Bearing
8	LB21	*Spool (See Assy.)	35	LB29	Pinion Spacer
9	LB57	*Spool Claw Spring	36	LB40	Anti-Rev. Ratchet
10	LB55	*Spool Claw	37	LB11	Pinion Gear
11	LB56	*Spool Claw Screw	38	JB73	Handle Retainer Cover
12	LB59	*Spool Spindle Washer	39	CB54	Handle Retainer
13	LB58	*Spool Spindle Assy.	40	CB105	Handle Ret. Washer
14	LB60	*Spool Spindle Spring	41	LB301	Body Assembly
15	LB15	Center Shaft	42	CB69	Anti-Rev. Knob Spring
16	DB6	Rotor Nut	43	CB59	Anti-Reverse Knob
17	CB4	Line Roller	44	LB63	Anti-Reverse Pawl
18	CB16	Line Roller Bushing	45	CB80	Anti-Rev. Pawl Screw
19	CB51	Bail Screw	46	LB42	Anti-Rev. Actuator
20	CB51	Bail Screw	47	LB12	Crank Gear
21	DB347	Bail Assembly	48	DB25	Oscillator Slider
22	DB7	Bail Arm A	49	CB27	Crank Gear Shim
23	CB102	Bail Axle Washer	50	LB323	Side Plate Assy.
24	CB108	Bail Axle Screw	51	CB57	Side Plate Screw
25	DB85	Bail Cover Screw	52	LB318	Crank Handle Assy.
26	DB85	Bail Cover Screw			
27	LB25	Bail Spring Cover			

*Available as One Unit,
LB321 Spool Assy.

PLEASE ORDER BY PART NUMBER

