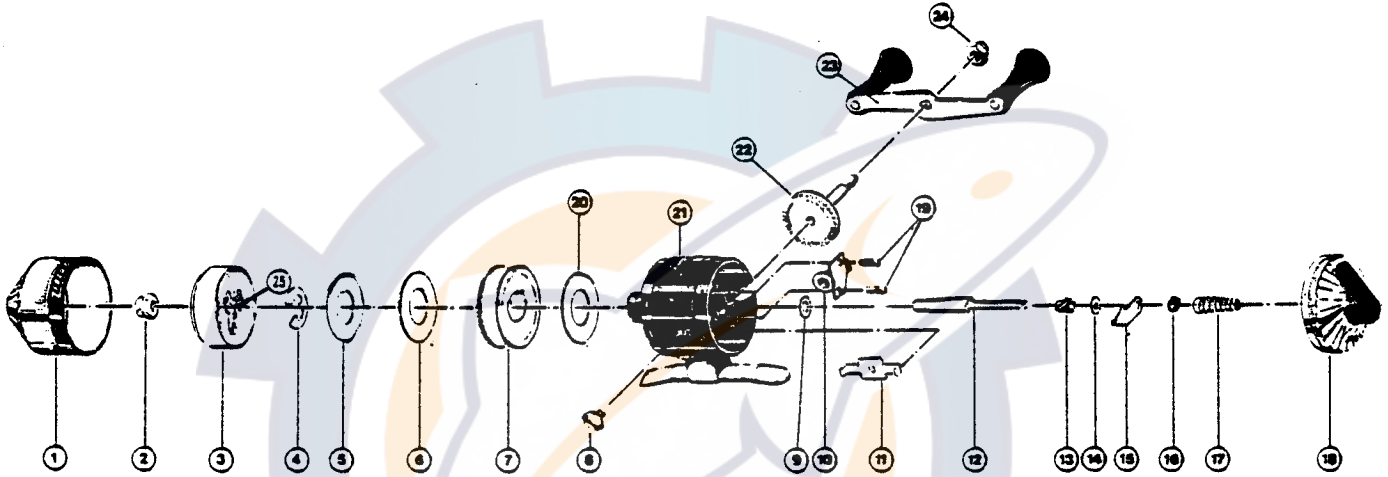


STERLING™ 70SR™

weight	3.7 oz/108 g		
pound test	4	6	8
yards	85	60	48
meters	78	55	41



MODEL 70SR

Key No.	Part No.	Description	Key No.	Part No.	Description
1	AJ324-3	Front Cover Assy. (SR)	13	AJ011	*Pinion Gear
2	AJ006	Spinner Head Nut	14	AJ106	*Teflon Shaft Washer
3	AJ310	Spinner Head Assy.	15	AJ014	*Anti-Reverse Drag
4	XZ034	Spool Clip	16	AJ079	*Nylon Shaft Washer
5	BJ040	Spool Washer	17	AJ020	*Center Shaft Spring
6	BJ108	Flat Washer	18	AJ323-3	Back Cover (SR)
7	AJ021	Spool (Empty)	19	AJ057	Bearing Retainer Screw
8	AJ321-6T	Spool w/6# Trilene	20	AJ107	Flat Washer
9	AJ055	Cover Lock Screw	21	AJ301-3	Body Assy. (SR)
10	AJ058	Pinion Washer	22	AJ308	Crank Gear Assy.
11	AJ026	Crank Bearing	23	AJ318	Crank Handle
12	AJ015	*Center Shaft	24	AZ003	Crank Nut (or XZ003-1)
			25	AJ049	Spinner Head Spring

*Available as One Unit,
AJ315 Center Shaft Assy.

PLEASE ORDER BY PART NUMBER

Zebco Division Brunswick Corporation, Box 270, Tulsa, OK 74101 USA 918-836-5581

