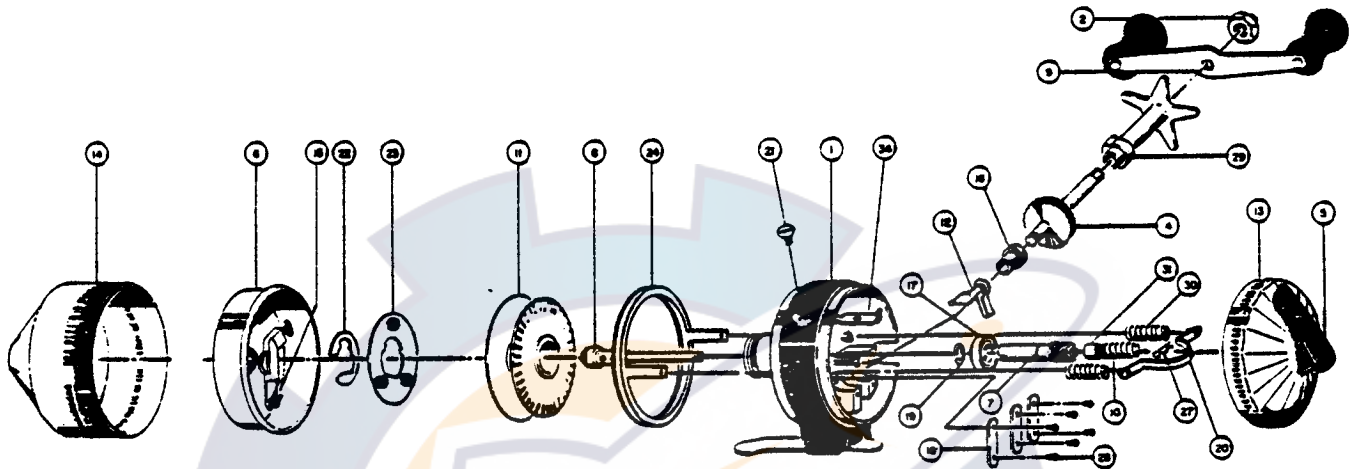


**ZEBCO**

# STERLING™ 90SR™

weight	11.25 oz/319 g		
pound test	12	14	17
yards	137	105	90
meters	125	96	82



**MODEL 90SR**

Key No.	Part No.	Description	Key No.	Part No.	Description
1	AZ301	Body Assembly	16	AZ026	Crank Bearing
2	AZ003	Crank Nut (Locking)	17	AZ028	Ball Bearing
3	AZ053	Brake Ring Gasket	18	AZ029	Bearing Retainer
4	AZ308	Crank Shaft	19	PZ030	Center Shaft Ret. Clip
5	AZ309-2	Thumb Stop (SR)	20	AZ331	Brake Bar
6	AZ310	Spinner Head (Spin-On)	21	LZ055	Cover Lock Screw
7	AZ311	Pinion Gear	22	GZ034	Spool Clip
8	AZ315-1	Center Shaft Assy.	23	AZ040	Spool Washer
9	AZ318	Crank Handle Assy.	24	AZ346	Brake Ring Ret. Assy.
10	AZ020	Center Shaft Spring	27	AZ124	Hitch Clip
11	AZ021	Spool (Empty)	28	AZ057	Retainer Screw
	AZ321-14T	Spool w/14# Trilene	29	AZ032	Star Drag
12	IZ052	Anti-Reverse Drag	30	AZ073	Brake Ring Spring
13	AZ323-3	Back Cover (SR)w/Th.Br	31	AZ078	Center Shaft Spacer
14	AZ324-3	Front Cover Assy. (SR)	34	AZ056	Cover Lock
15	JY049	Spinner Head Spring			

PLEASE ORDER BY PART NUMBER

Zebco Division Brunswick Corporation, Box 270, Tulsa, OK 74101 USA 918-836-5581

