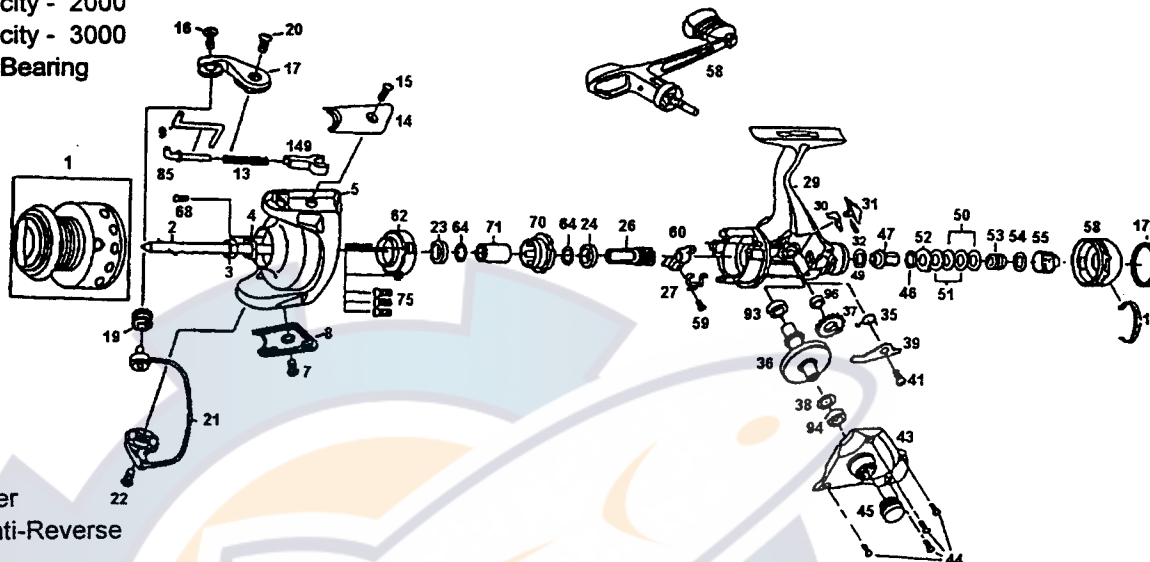




SPECIFICATIONS :

- .t FW - 2000
- M Lt. FW - 3000
- 145 yds / 6 lb Line Capacity - 2000
- 130 yds / 8 lb Line Capacity - 3000
- 1 Ball Bearing; 1 Roller Bearing
- 9.8 oz. - 2000
- 9.9 oz. - 3000
- 5.3:1 Gear Ratio
- 24" IPT



FEATURES :

- Rear Drag
- Balanced Rotor
- Balanced Handle
- Twist Reducer Line Roller
- Selective Continuous Anti-Reverse
- 4 Ball Bearings

Key No.	Part No. 2000 / 3000	Description	Price	Key No.	Part Number 2000 / 3000	Description	Price
1	PA321-51	SPOOL ASSEMBLY		41	GU077-05	A/R PAWL SCREW	
1	PA321-71	SPOOL ASSEMBLY (3000)		43	PA323-51	BODY COVER ASSEMBLY	
2	PA315-51	MAIN SHAFT ASSEMBLY		44	GU057-02	BODY COVER SCREW	
3	GU006-01	ROTOR NUT		45	PA073-51	HANDLE SCREW CAP	
4	PA065-01	ROTOR WASHER		46	PA045-01	DRAG WASHER	
5	PA009-51	ROTOR		47	PA075-51	DRAG CLICK GEAR	
6	PA046-51	BAIL HOLDER COVER		49	PA039-01	DRAG FRICTION WASHER	
7	GU077-01	COVER SCREW		50	PA080-01	DRAG WASHER "D"	
9	PA019-51	KICK LEVER		51	PA033-01	DRAG WASHER "B"	
13	PA022-01	BAIL SPRING		52	PA081-01	DRAG WASHER "A"	
14	PA087-51	ARM LEVER SPRING COVER		53	PA043-51	DRAG SPRING	
15	GU077-01	COVER SCREW		54	PA029-01	DRAG WASHER	
16	UL108-02	LINE SLIDER SCREW		55	PA066-51	DRAG NUT	
17	PA007-51	ARM LEVER		56	PA032-51	DRAG KNOB	
19	PA004-01	LINE ROLLER		58	PA318-51	HANDLE ASSEMBLY	
20	PA044-01	ARM LEVER SCREW		59	JU100-01	MAIN SHAFT SCREW	
21	PA347-51	BAIL ASSEMBLY		60	PA025-01	O/S SLIDER	
22	PA044-01	BAIL HOLDER SCREW		62	PA040-51	BEARING PLATE	
23	BH028-01	BALL BEARING		64	PA109-01	PINION WASHER	
24	AQ028-01	BALL BEARING		68	GU094-01	ROTOR NUT LOCK S/C	
26	PA011-51	PINION GEAR		70	PA074-01	ONE WAY CLUTCH	
27	PA078-01	RETAINER		71	PA139-01	CLUTCH SLEEVE	
29	PA001-51	BODY		75	PA041-01	BEARING SCREW	
30	PA089-51	A/R LEVER SPRING		85	PA031-01	BAIL SPRING SHAFT	
31	PA090-51	A/R LEVER		93	AQ028-01	GEAR SHAFT BALL BEARING	
32	PA062-01	A/R LEVER PIN		94	AQ028-01	GEAR SHAFT BALL BEARING	
35	PA061-51	A/R PAWL SPRING		95	PA158-01	O/S GEAR BUSHING	
36	PA012-51	DRIVE GEAR		125	PA095-01	DRAG KNOB RETAINER	
37	PA053-51	O/S GEAR		149	PA020-51	BAIL SPRING HOLDER	
38	GU105-08	ADJUST WASHER		173	PA071-01	DRAG KNOB RING	
39	PA063-51	A/R PAWL					

MODEL	EFFECTIVE DATE OF	
INTRODUCED : 1998	PARTS LIST/DIAGRAM: November '98	DISCONTINUED : N / A

Prices subject to change without notice. Prices do not include postage and handling.

PLEASE ORDER BY PART NUMBER

Zebco, P.O. Box 270, Tulsa, Ok. 74101; 918-831-6965 Phone or 800-FIXREEL (349-7335) FAX

