

BROWNING[®] MZ34 and MZ56

SPECIFICATIONS:

Single-action, Dual Pawl

MZ34

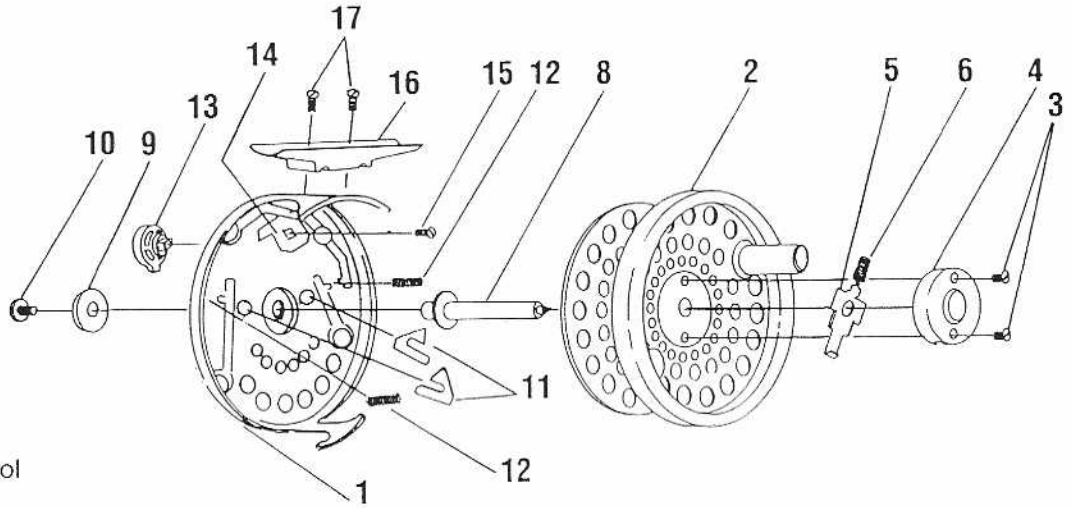
3.6 oz. Weight
WF4F plus 50 yds. 20#
backing capacity

MZ56

4.1 oz. Weight
WF6F plus 100 yds. 20#
backing capacity

FEATURES:

- Machined from 6061-T6 aluminum bar stock
- Dual pawl adjustable drag
- Independent on/off click
- Counterbalanced rim control spool
- Replaceable reel feet and easy-grip crank knobs
- Made in USA



ReelSchematic

Key No.	MZ34 Part No.	MZ56 Part No.	Description	Price
1	GM001-01ACP	S-1-MZ56-01CCP	Body Assembly	2.40
2	BMZ34S	BMZ56S	Spool Assembly	43.00
3	RR130-10A	RR130-10A	Spool Lock Cap Screw	.20
4	239-05APD	239-04APD	Spool Lock Cap	4.55
5	XM050-01A	XM050-01A	Spool Lock	.80
6	253S	253S	Spool Lock Spring	.32
8	JM015-02A	JM015-01A	Spindle	9.40
9	455-01A	455-01A	Spindle Cap	.88
10	RR130-07A	RR130-07A	Spindle Screw	1.00
11	756-CP	756-CP	Pawl	.54
12	510S	510S	Pawl Spring	.32
13	LC032-01A	LC032-01A	Drag Knob	.90
14	150-01ATP	150-01ATP	Drag Cam	1.00
15	RR130-06A	RR130-06A	Drag Cam Screw	1.00
16	508-01A	456-01A	Reel Foot	5.25
17	LC196-01A	LC196-01A	Reel Foot Screw	1.75

MODEL INTRODUCED	EFFECTIVE DATE OF PARTS LIST/DIAGRAM	Oct. 1996	DISCONTINUED	N/A
------------------	--------------------------------------	-----------	--------------	-----

Prices subject to change without notice. Prices do not include postage and handling.

PLEASE ORDER BY PART NUMBER Zebco Division Brunswick Corporation, Box 270, Tulsa, OK 74101 USA 918-831-6965

