

# BROWNING® MIDAS 3 and MIDAS 4

## SPECIFICATIONS:

Single-action, Dual Pawl  
WF8F plus 100 yds. 20#  
backing capacity

**MIDAS 3** - 5.2 oz. Weight

**MIDAS 4** - 5.6 oz. Weight

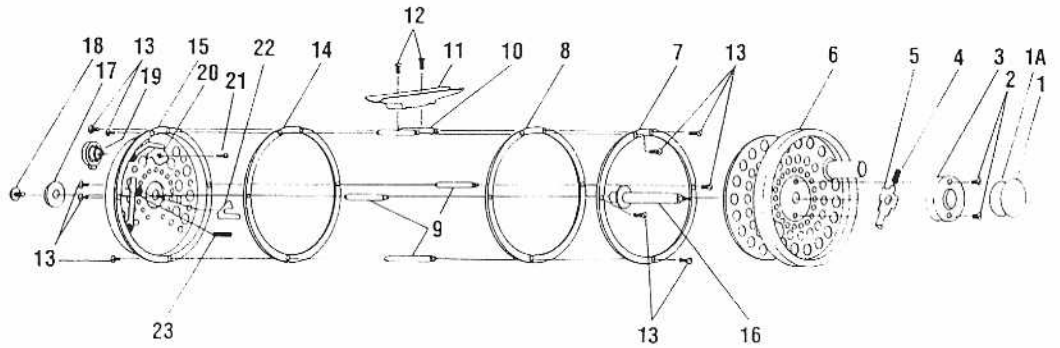
## FEATURES:

Lightweight aluminum alloy  
frame

Counterbalanced rim control  
spool

Machined, replaceable reel  
feet

Made in USA



Key No.	MIDAS 3 Part No.	MIDAS 4 Part No.	Description	Price
2	RR130-10A	RR130-10A	Spool Lock Cap Screw	.20
3	251X-05APD	251X-05APD	Spool Lock Cap	1.20
4	253S	253S	Spool Lock Spring	.32
5	XM050-01A	XM050-01A	Spool Lock	.80
6	BM3S	BM4S	Spool Assembly	10.10
7	WC193-05APA	WC193-05APA	Rim (Spool Side - Black)	2.72
8	WC193-09ACP	WC193-09ACP	Line Guide (Spool Side)	2.38
9	783-01B	894-01B	Line Guide Post	1.94
10	783-01BSAW	894-01BSAW	Reel Foot Post	2.05
11	809-02A	809-02A	Reel Foot	5.57
12	RR130-10A	RR130-10A	Reel Foot Screw	.20
13	234	234	Post Screw	.32
14	M-781-01BCP	M-781-01BCP	Line Guide (Pawl Side - Nickle)	2.51
15	1296-MB78-01ASA	1296-MB89-01ASA	Back Cover Assembly	.80
16	780-01B	839-01A	Spindle	2.80
17	774-01A	774-01A	Spindle Cap	.84
18	RR130-07A	RR130-07A	Spindle Screw	1.00
19	LC032-01A	LC032-01A	Drag Knob	.89
20	952-01A	952-01A	Drag Cam	1.00
21	RR130-06A	RR139-06A	Drag Cam Screw	.73
22	756-CP	756-CP	Pawl	.54
23	510S	510S	Pawl Spring	.32

MODEL INTRODUCED	EFFECTIVE DATE OF PARTS LIST/DIAGRAM	Oct. 1996	DISCONTINUED	N/A
------------------	--------------------------------------	-----------	--------------	-----

Prices subject to change without notice. Prices do not include postage and handling.

**PLEASE ORDER BY PART NUMBER** Zebco Division Brunswick Corporation, Box 270, Tulsa, OK 74101 USA 918-831-6965

