

BROWNING® MIDAS 1, BPF1 and MIDAS 2

SPECIFICATIONS:

Single-action, Single Pawl

MIDAS 1, BPF1

4 oz. Weight

WF4F plus 100 yds. 20#
backing capacity

MIDAS 2

4.3 oz. Weight

WF6F plus 100 yds. 20#
backing capacity

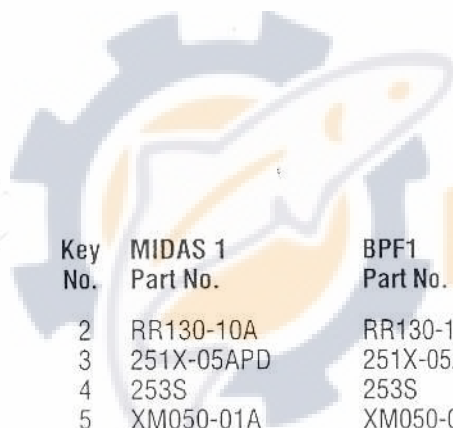
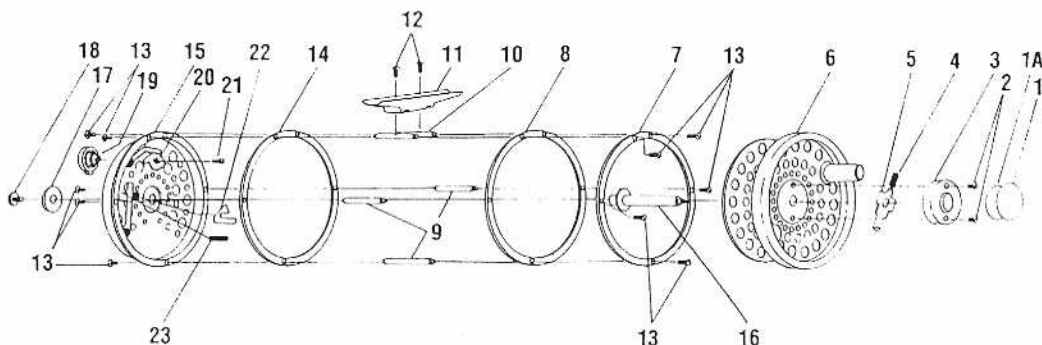
FEATURES:

Lightweight aluminum alloy
frame

Counterbalanced rim control
spool

Machined, replaceable reel
feet

Made in USA



ReelSchematic

Key No.	MIDAS 1 Part No.	BPF1 Part No.	MIDAS 2 Part No.	Description	Price
2	RR130-10A	RR130-10A	RR130-10A	Spool Lock Cap Screw	.20
3	251X-05APD	251X-05APD	251X-05APD	Spool Lock Cap	1.20
4	253S	253S	253S	Spool Lock Spring	.32
5	XM050-01A	XM050-01A	XM050-01A	Spool Lock	.80
6	BM1S	N/A	BM2S	Spool Assembly	14.95
6	N/A	1293-BPF1-01ASA	N/A	Spool Assembly	10.95
7	WC193-11ACP	WC193-11ACP	WC193-11ACP	Spool Rim (Spool Side - Black)	3.05
8	195-01ACP	195-01ACP	195-01ACP	Line Guide (Spool Side - Nickle)	2.75
9	145-01B	145-01B	156-01B	Line Guide Post	.80
10	145-01BSAW	145-01BSAW	156-01BSAW	Reel Foot Post	1.25
11	740-01B	740-01B	740-01B	Reel Foot	5.20
12	RR130-05	RR130-05	RR130-05	Reel Foot Screw	.27
13	234	N/A	N/A	Post Screw	.15
14	WC193-10ACP	WC193-10ACP	WC193-10ACP	Spool Rim (Pawl Side - Nickle)	2.80
15	S-1-MB45-02ACP	1296-BPF1-01APD	1296-MB56-01APD	Back Assembly	2.60
16	506P-01A	506P-01A	450-01C	Spindle	4.12
17	455-01A	455-01A	455-01A	Spindle Cap	.88
18	RR130-07A	RR130-07A	RR130-07A	Spindle Screw	1.00
19	LC032-01A	LC032-01A	LC032-01A	Drag Knob	.89
20	150-01ATP	150-01ATP	150-01ATP	Drag Cam	1.00
21	RR130-06	RR130-06	RR130-06	Drag Cam Screw	.73
22	756-CP	756-CP	756-CP	Pawl	.54
23	510S	510S	510S	Pawl Spring	.32

MODEL INTRODUCED	EFFECTIVE DATE OF PARTS LIST/DIAGRAM	Oct. 1996	DISCONTINUED	N/A
------------------	--------------------------------------	-----------	--------------	-----

Prices subject to change without notice. Prices do not include postage and handling.

PLEASE ORDER BY PART NUMBER Zebco Division Brunswick Corporation, Box 270, Tulsa, OK 74101 USA 918-831-6965

