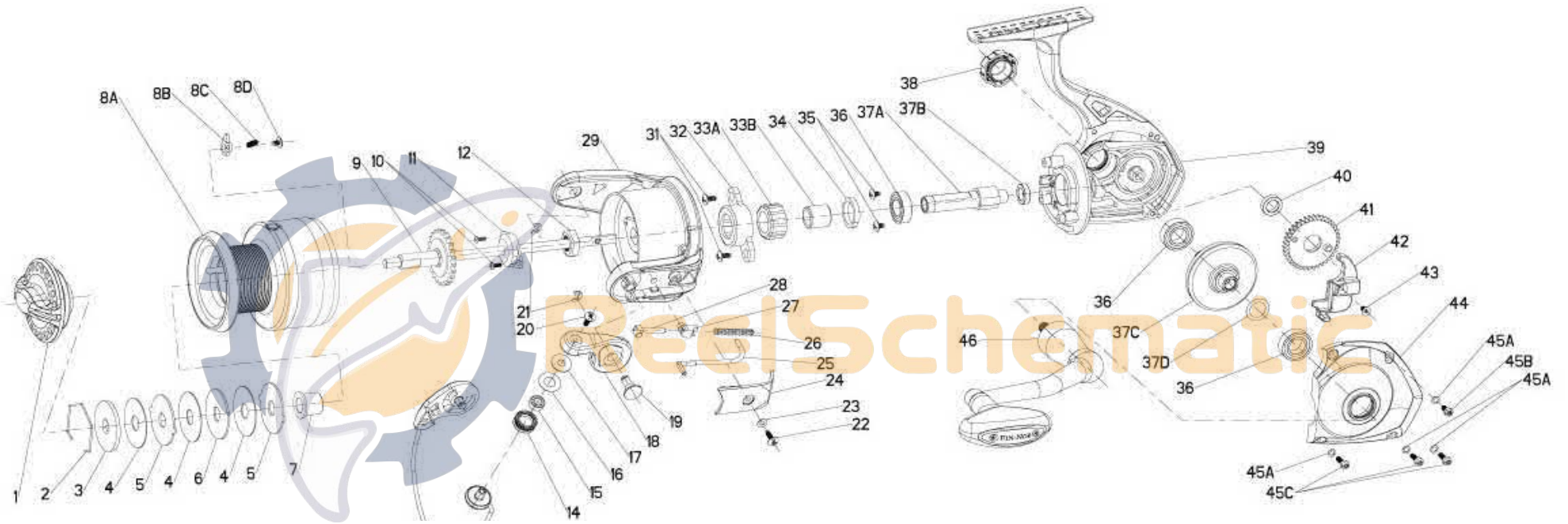


Sportfisher FS40



FIN-NOR®

LEGENDARY TACKLE SINCE 1933

Sportfisher FS40

Fin-Nor Inshore FS40 Reel Part List

| Key # | Description | Qty | Part No. | Key # | Description | Qty | Part No. |
|-------|----------------------------|-----|-----------|-------|----------------------------------|-----|-----------|
| 1 | DRAG KNOB ASSEMBLY | 1 | CO332-01 | 25 | KICK LEVER | 1 | CO019-01 |
| 2 | SPOOL RETAINER | 1 | RQ038-01 | 26 | ACTUATOR SPRING | 1 | JO022-01 |
| 3 | DRAG WASHER - KEYED | 1 | CO080-02 | 27 | ACTUATOR | 1 | JO258-01 |
| 4 | DRAG WASHER - FRICTION | 3 | CO033-01 | 28 | ACTUATOR SPRING PIN | 1 | JO031-01 |
| 5 | DRAG WASHER - TABBED | 2 | CO081-01 | 29 | ROTOR | 1 | CO009-01 |
| 6 | DRAG WASHER KEYED | 1 | CO080-01 | 30 | PINION GEAR WASHER | 1 | N/A |
| 7 | SPOOL BUSHING | 1 | CO160-01 | 31 | SCREW - CLUTCH (2) | 2 | HO077-01 |
| 8 | SPOOL ASSEMBLY KIT | 1 | HO4321-01 | 32 | CLUTCH COVER | 1 | CO175-01 |
| | 8A - SPOOL ASSEMBLY | 1 | N/A | 33 | CLUTCH ASSEMBLY KIT | 1 | CO4178-01 |
| | 2 - SPOOL RETAINER | 1 | N/A | | 33A - CLUTCH HOUSING | 1 | N/A |
| | 3 - DRAG WASHER - KEYED | 1 | N/A | | 33B - CLUTCH SLEEVE | 1 | N/A |
| | 4 - DRAG WASHER - FRICTION | 3 | N/A | 34 | WASHER - ADJUST CLUTCH | 1 | PG042-01 |
| | 5 - DRAG WASHER - TABBED | 2 | N/A | 35 | SCREW - BEARING (2) | 2 | AQ108-01 |
| | 6 - DRAG WASHER - KEYED | 1 | N/A | 36 | BALL BEARING | 1 | KT158-01 |
| | 7 - SPOOL BUSHING | 1 | N/A | 36 | BALL BEARING | 1 | KT141-01 |
| | 8B - SPOOL CLICKER | 1 | N/A | 36 | BALL BEARING | 1 | RF058-02 |
| | 8C - CLICK SPRING | 1 | N/A | 37 | GEAR KIT | 1 | CO4011-01 |
| | 8D - SCREW - CLICKER | 1 | N/A | | 37A - PINION GEAR | 1 | N/A |
| 9 | MAINSHAFT ASSEMBLY | 1 | CO315-01 | | 37B - PINION BUSHING | 1 | N/A |
| 10 | ROTOR NUT LOCK SCREW (2) | 2 | JO094-01 | | 37C - DRIVE GEAR | 1 | N/A |
| 11 | MAINSHAFT BUSHING | 1 | CO214-01 | | 37D - DRIVE GEAR ADJUST WASHER | 1 | N/A |
| 12 | ROTOR NUT | 1 | CO006-01 | 38 | HANDLE CAP | 1 | CO073-01 |
| 13 | BAIL ASSEMBLY | 1 | CO347-01 | 39 | BODY | 1 | CO001-01 |
| 14 | LINE ROLLER | 1 | CH004-01 | 40 | OSCILLATOR GEAR BUSHING | 1 | N/A |
| 15 | LINE ROLLER BEARING | 1 | GH202-01 | 41 | OSCILLATOR GEAR | 1 | CO053-01 |
| 16 | LINE ROLLER WASHER | 1 | DH102-01 | 42 | OSCILLATOR GEAR SLIDER | 1 | SQ025-01 |
| 17 | LINE ROLLER COLLAR | 1 | CH102-01 | 43 | MAIN SHAFT SCREW | 1 | RQ100-01 |
| 18 | ARM LEVER | 1 | CO007-01 | 44 | BODY COVER | 1 | CO023-01 |
| 19 | PIN | 1 | PG042-01 | 45 | BODY COVER SCREW KIT | 1 | CO4157-01 |
| 20 | SCREW - LINE SLIDER | 1 | AQ108-01 | | 45A - SCRATCH PROTECT WASHER (4) | 4 | N/A |
| 21 | E-CLIP - BAIL ASSEMBLY (2) | 2 | GH034-01 | | 45B - BODY COVER SCREW (1) | 1 | N/A |
| 22 | ARM LEVER COVER SCREW | 1 | GU077-02A | | 45C - BODY COVER SCREW (3) | 3 | N/A |
| 23 | ARM LEVER COVER WASHER | 1 | RQ142-01 | 46 | HANDLE ASSEMBLY | 1 | CO318-01 |
| 24 | ARM LEVER COVER | 1 | CO087-01 | | | | |